

TTL (SPI) signal Amplifier

-----long distance transfer solution

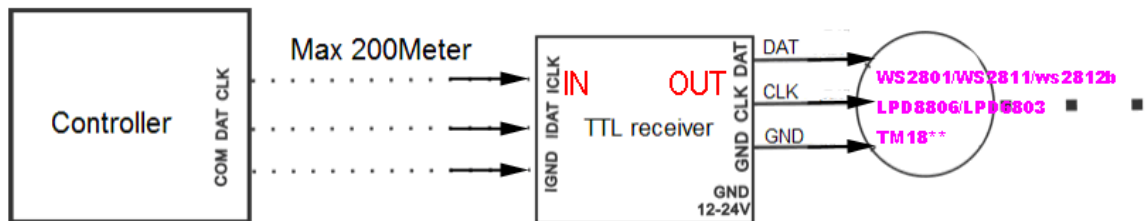
1、 Products Picture: Amplifier (Mode: AMP-TTL)



2. Parameter:

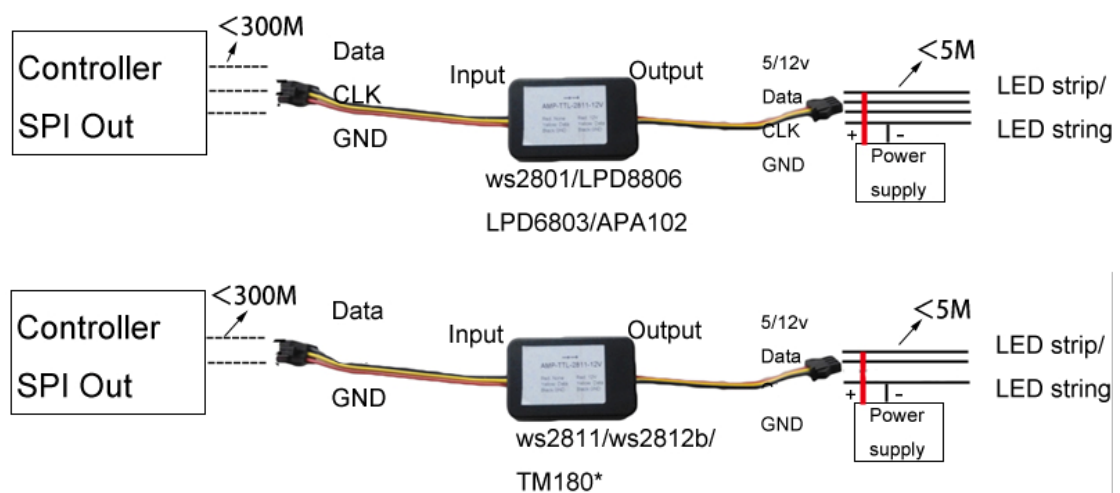
- Operating Volt: DC5v (RT is short-circuiting) or DC12-24V(RT is OPEN)
- Power: 1watts/pcs;
- PCB size: L35mm×W30mm×H8mm;
- Housing size: L55×W35×W15 MM;
- Input: IGND (GND input) IDAT(DAT input) ICLK(CLK Input);
- Output: GND (GND Output) DAT (DAT Output) CLK (CLK Output);
- Transfer distance: Max 200 meters from controller to TTL signal receiver;

3. Diagram:

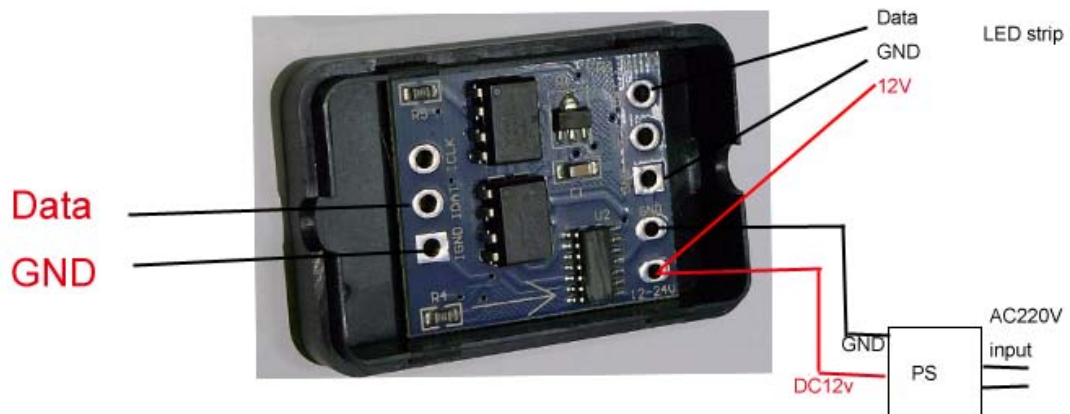


4. Application

A:



B



5. Notes

- Max 200 meters between LED controller and TTL signal amplifier;
- TTL signal amplifier must be close to the Pixel LED lights, the distance from the amplifier to Pixel LED should be less than 5 meters;
- When RT open, working voltage is 12-24V; when RT short-circuiting, working voltage is 5V;
- This TTL signal amplifier is suit for all kinds of IC, including double signal wires (Data and CLK) and single wire (only Data), please regardless CLK when working with single wire IC, such as ws2811/ws2812b.